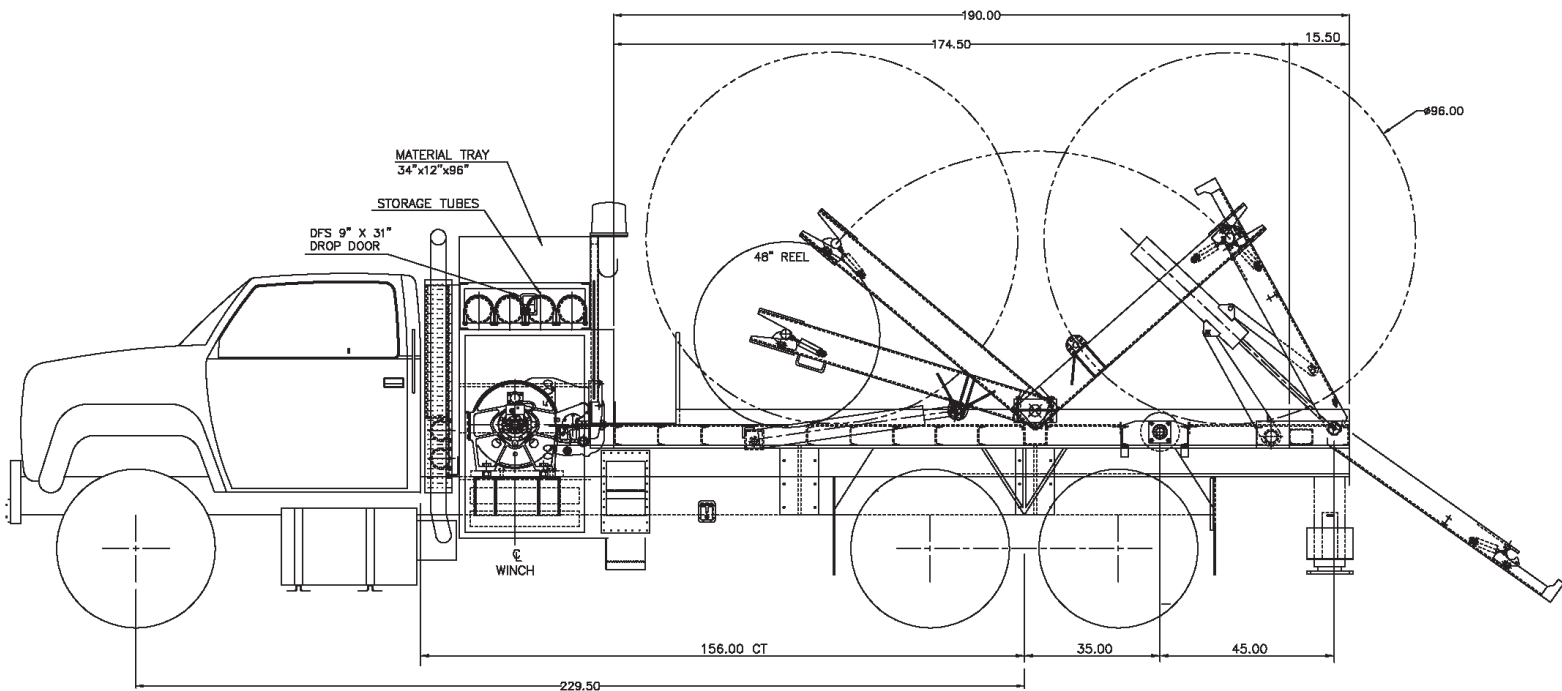


# REEL LOADERS



Reel loaders from 4,000 lbs. to 12,000 lbs. single and dual reel loaders available.

**Simple design that helps elevate your bottom line.**



[WWW.SMFTRUCK.COM](http://WWW.SMFTRUCK.COM)

1226 Little Gap Rd., Palmerton, PA 18071

(610) 824-7000

***We Build Solutions***

# REEL LOADERS

## General Specifications:

Self-Contained Reel Loaders

Reels Diameter: 24" to 96"

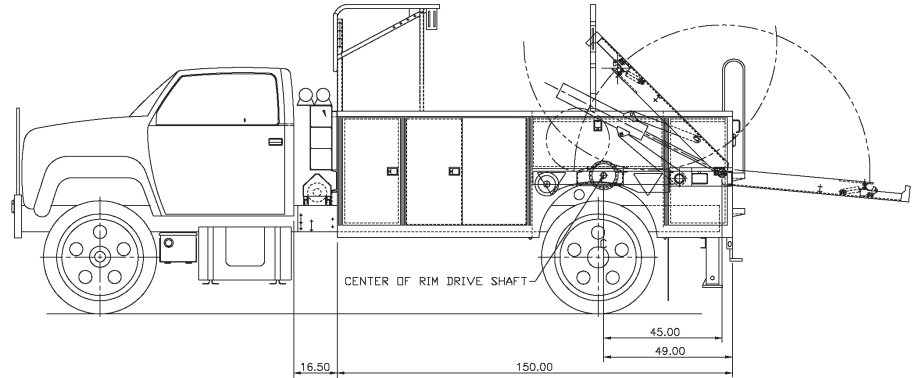
Reel Width: 38" to 83"

Reel Capacity: 4,000 lbs. to 12,000 lbs.

Reel Latches: Manual with Safety Pins

Power Pack (with 12-Volt Electric Over Hydraulic or PTO Driven Hydraulic System)

Spinal Bar with Reel Spacers and Clamps



Call the office to size the chassis to the equipment for desired performance!

### Standard Equipment

Rod Fed Cylinders  
No Hoses Exposed in Area of the Lift Arms  
270 Degrees of Rotation  
Toggle Link / Double Cylinders  
Single and Double Reel Loaders 4,000 lbs. to 12,000 lbs.  
Can use a Pintle Hook with Modular Design

### Optional Equipment

Hydraulic Spindle Bar Locks  
Rim Drive with Reversible Direction



**We Build Solutions**

For more information, visit us at

[WWW.SMFTRUCK.COM](http://WWW.SMFTRUCK.COM)

1226 Little Gap Rd., Palmerton, PA 18071

(610) 824-7000

NOTE -All aerial units designed in accordance with ANSI A92.2 specifications

-Specifications are subject to change without notice

-All photographs and illustrations represented in this literature are for informational purposes only