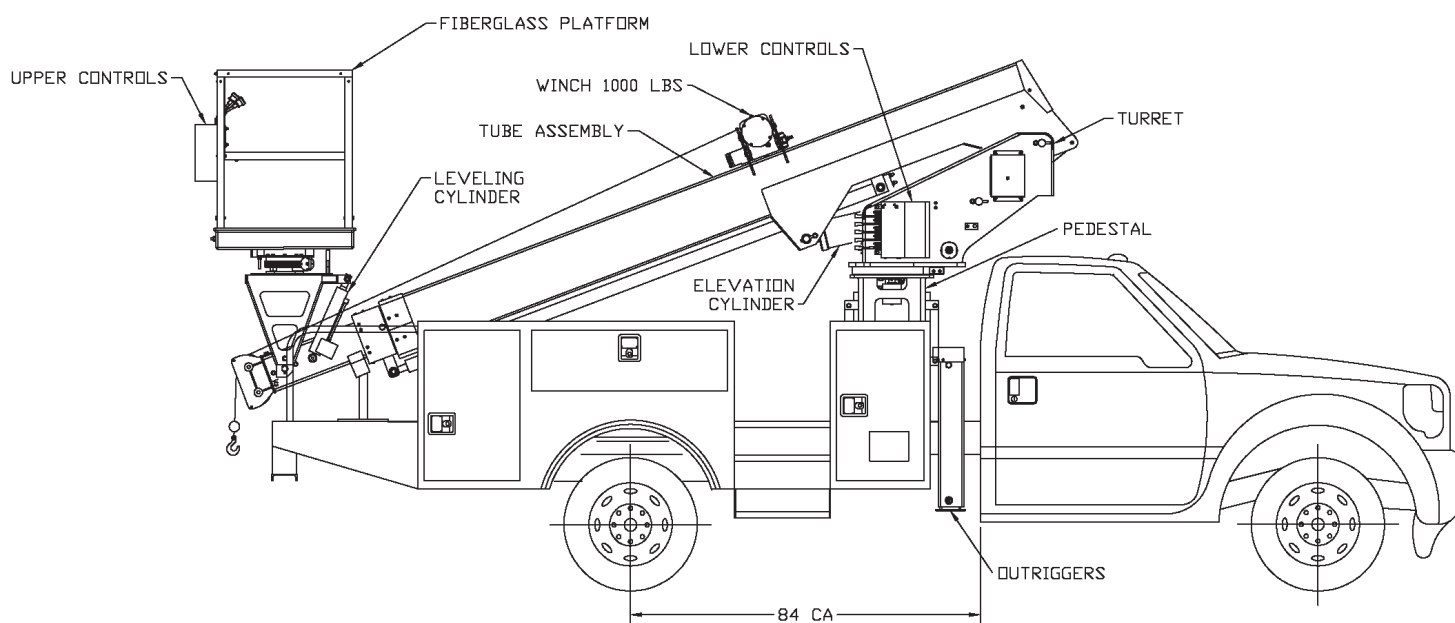


# 3TPE WORK PLATFORM



A three-section, fully hydraulic boom extension, insulated or non-insulated.

- Less Maintenance
- Greater Safety

**Simple design that helps elevate your bottom line.**

**AERO-LIFT** By



[WWW.SMFTRUCK.COM](http://WWW.SMFTRUCK.COM)

1226 Little Gap Rd., Palmerton, PA 18071

(610) 824-7000

***We Build Solutions***

# 3TPE WORK PLATFORM

## General Specifications:

Working Heights: 45' to 55'

Height to Bottom of Platform: 40' & 50'

Platform Capacity: 750 lbs

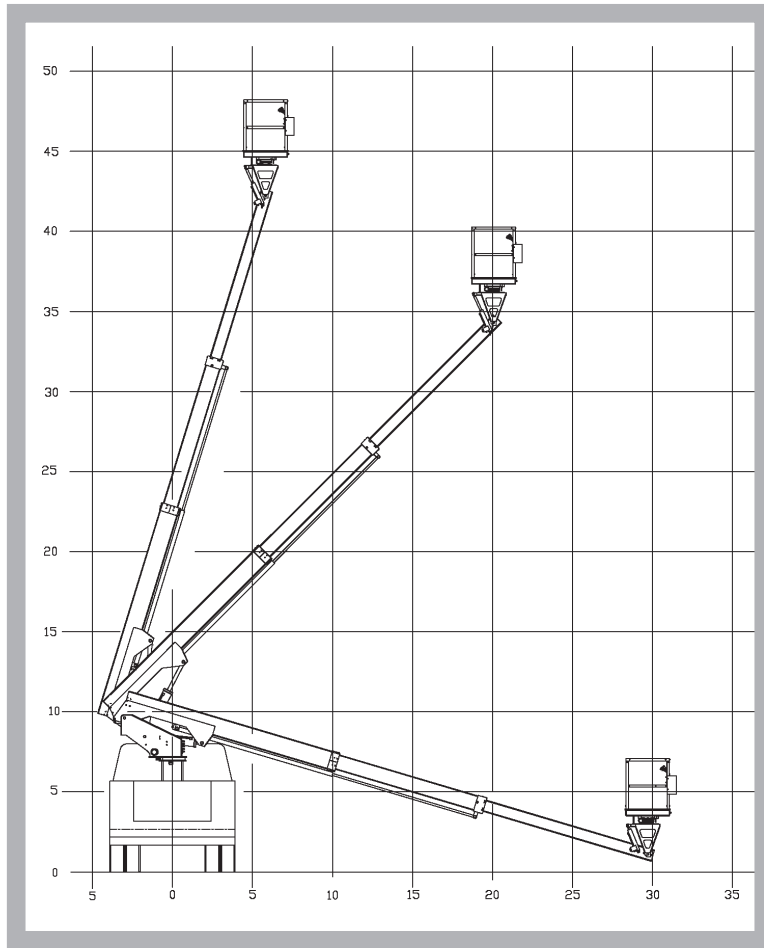
Standard Platform Size: 32" x 48"

## Standard Equipment

Boom Capacity: 1,000 lbs.  
 Boom Elevation: - 20° to +75°  
 Continuous Rotation  
 Shear Ball Bearing Turn Table  
 Hydraulic Self-Leveling  
 Fully-Metering Controls  
 Platform Rotation 180°

## Optional Equipment

Insulated to Category C  
 Hydraulic Tools at Platform  
 Engine Start/Stop  
 Emergency Pump  
 Boom-Mounted Winch  
 Various Outrigger Configurations  
 110 Volt Outlet at Platform (non-insulated only)  
 Platform Continuous Rotation 360°  
 10' Elevator



Bottom Platform	Working Height	Side Reach
40'	45'	35'
50'	55'	45'

Minimum Chassis		
	40'	50'
Front Axle	10,000 lbs.	12,000 lbs.
GVWR	19,500 lbs.	25,900 lbs.

**AERO-LIFT** By



**We Build Solutions**

For more information, visit us at

[WWW.SMFTRUCK.COM](http://WWW.SMFTRUCK.COM)

1226 Little Gap Rd., Palmerton, PA 18071

(610) 824-7000

NOTE -All aerial units designed in accordance with ANSI A92.2 specifications

-Specifications are subject to change without notice

-All photographs and illustrations represented in this literature are for informational purposes only