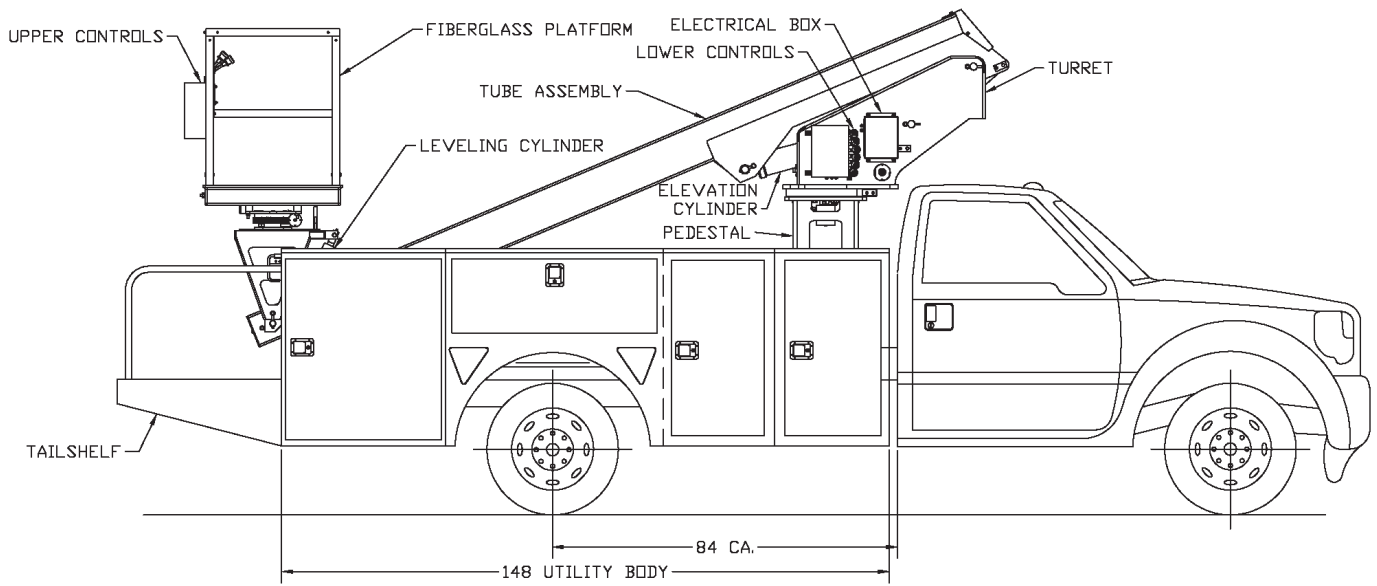


# 2TPE WORK PLATFORM



Two-section, fully hydraulic boom extension, insulated or non-insulated.

**Simple design that helps elevate your bottom line.**

**AERO-LIFT** By



[WWW.SMFTRUCK.COM](http://WWW.SMFTRUCK.COM)

1226 Little Gap Rd., Palmerton, PA 18071

(610) 824-7000

***We Build Solutions***

# 2TPE WORK PLATFORM

## General Specifications:

Working Heights: 40'

Height to Bottom: 35'

Platform Capacity: 500 lbs.

Standard Platform Size: 32" x 48"

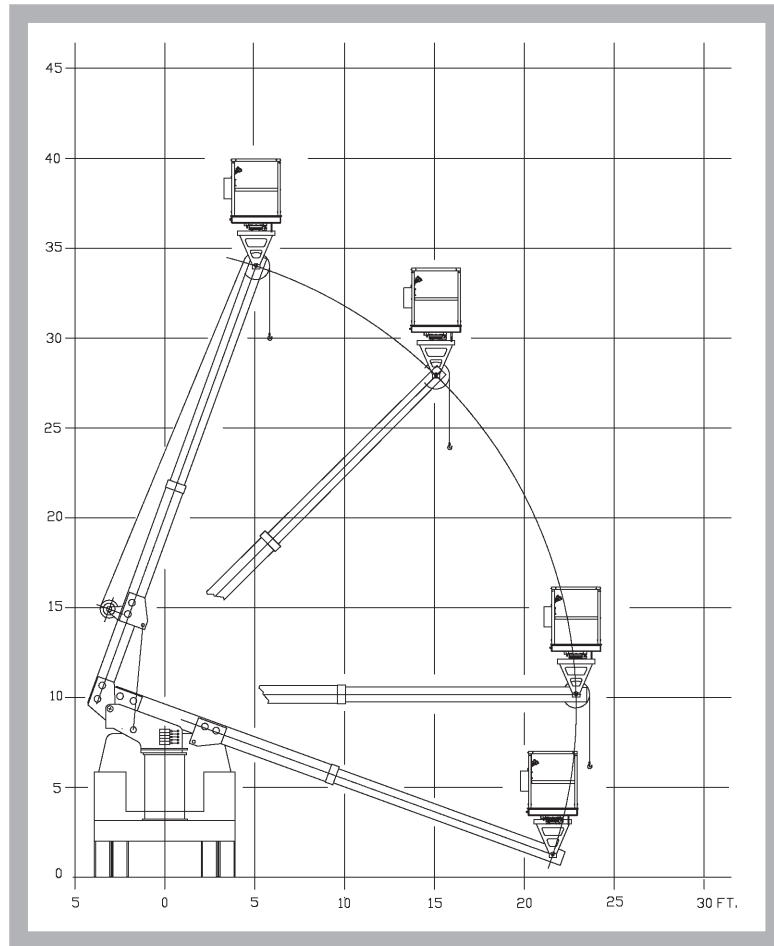
Standard Non-Insulated

## Standard Equipment

Boom Capacity: 1,000 lbs.  
 Boom Elevation: -20° to +75°  
 Continuous Rotation  
 Shear Ball-Bearing Turntable  
 Hydraulic Self-Leveling  
 Fully-Metering Controls  
 Platform Rotation 180°  
 Non-Insulated

## Optional Equipment

Insulated to Category C  
 Hydraulic Tools at Platform  
 Engine Start/Stop  
 Emergency Pump  
 Boom-Mounted Winch  
 Various Outrigger Configurations  
 Platform Continuous Rotation 360°  
 110 Volt Outlet at Platform (Non-insulated Only)



Bottom Platform	Working Height	Side Reach
35'	40'	28'

Minimum Chassis	
Front Axle	7,000 lbs.
GVWR	29,500 lbs.
RBM	1.2 million

**AERO-LIFT** By



**We Build Solutions**

For more information, visit us at

[WWW.SMFTRUCK.COM](http://WWW.SMFTRUCK.COM)

1226 Little Gap Rd., Palmerton, PA 18071

(610) 824-7000

NOTE -All aerial units designed in accordance with ANSI A92.2 specifications

-Specifications are subject to change without notice

-All photographs and illustrations represented in this literature are for informational purposes only